



PRO-CELL CO., LTD.

DATA SHEET

Customer :

Model No. : LP-003

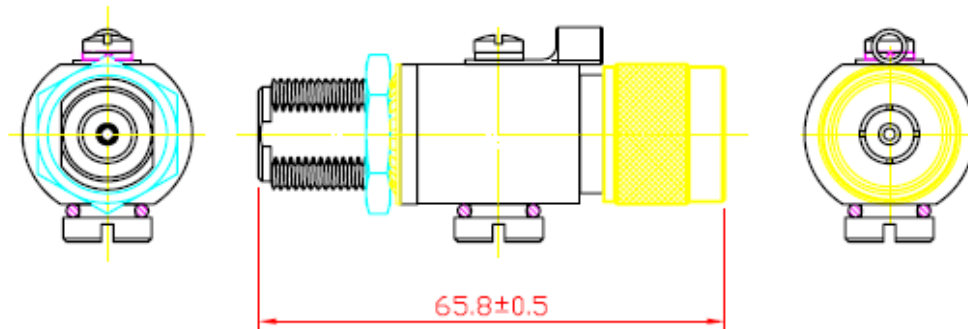
Description : 0~6 GHz LIGHTNING PROTECTOR

Date : 2011/5/13

Rev : 4



1. OVERVIEW & SPECIFICATIONS



Electrical Specifications:

| | |
|---|----------------------|
| Frequency Range : | 0~ 6.0GHz |
| VSWR : | 1.5 : 1 |
| Impedance : | 50Ω ± 5Ω |
| Nominal DC Spark-over Voltage (V) : | 90 |
| Gas Discharge Tube DC spark-over Voltage (V): | 72-108 |
| Impulse Spare-over Voltage (V) 100V/us : | ≤ 600 |
| Impulse Spare-over Voltage (V) 100V/us : | ≤ 700 |
| DC Holdover Voltage Vh (V) : | 52 |
| Nominal impulse discharge current 8/20us (KA) : | 10 |
| Nominal impulse discharge current 10/1000us (A) : | 100 |
| Nominal Alternation discharger current at 50Hz 1s (A) : | 10 |
| Insulation Resistance V (V) : | 50 |
| Insulation Resistance Ris (Ω) : | ≥ 10 |
| Capacitance 1 KHz (Pf) C : | ≤ 2*10 ⁻⁹ |

Mechanical Specifications:

| | |
|---------------------|--------------------------|
| Operation Temp. : | -40~+90°C |
| Dimension (L*W*H) : | 65.8 x 24 x 30 mm ±0.5 |
| Connector | N Female To N Male |
| Weight : | 105 g ± 10g |
| Salt Spray : | MIL-STD-202F method 101D |



PRO-CELL CO., LTD.

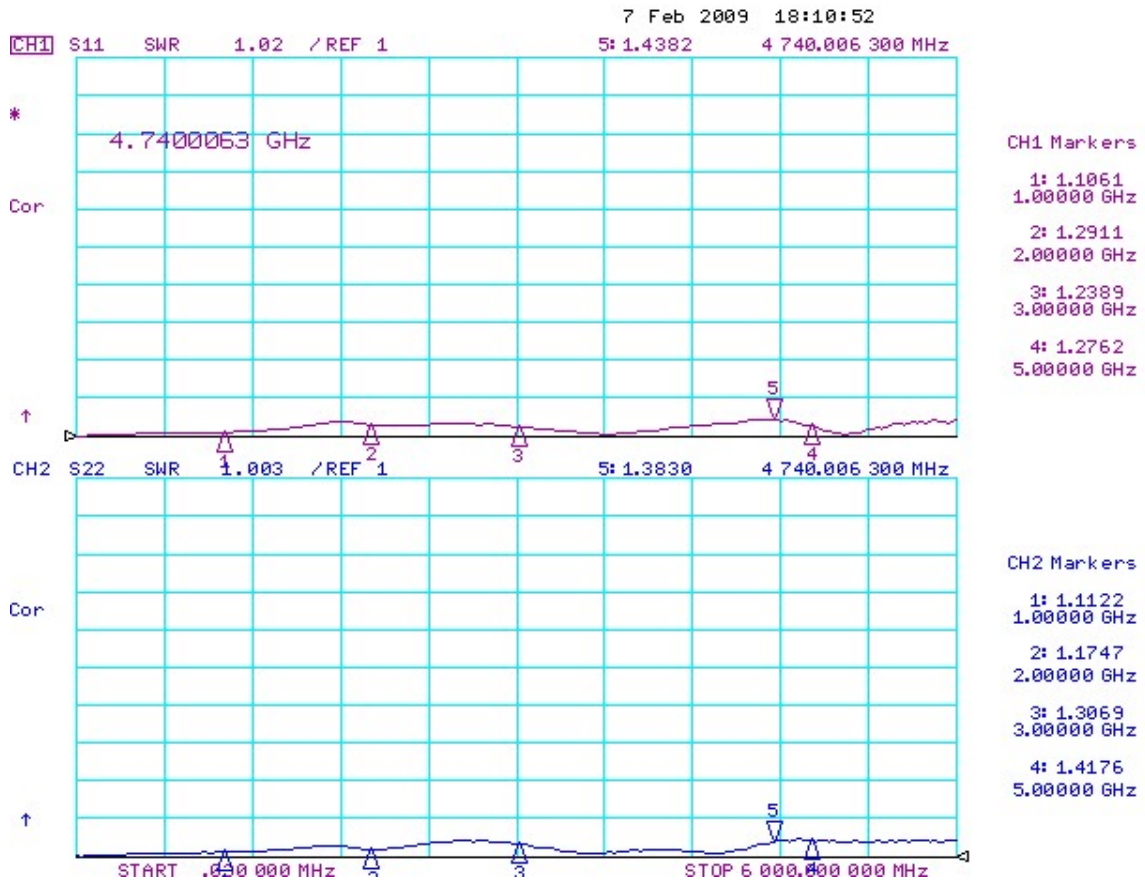
3D Illustration





2. VSWR & INSERTION LOSS

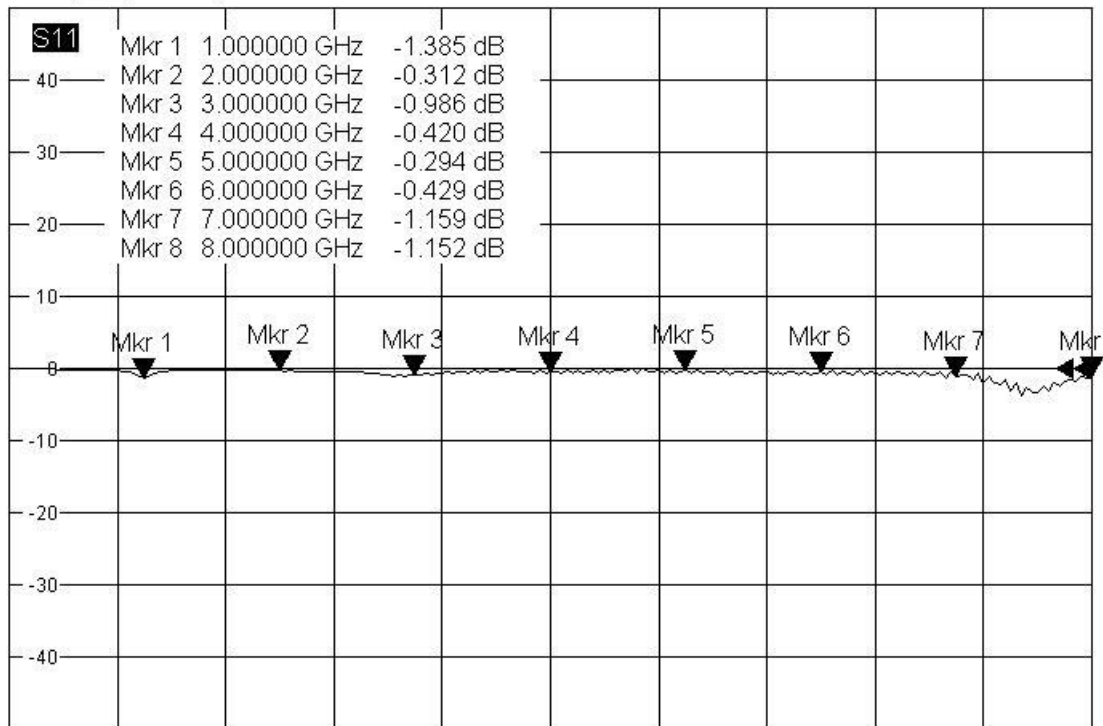
2.1 VSWR





2.2 INSERTION LOSS

Trc1 S11 dB Mag 10 dB / Ref 0 dB Invisible 1
Trc2 S21 dB Mag 10 dB / Ref 0 dB Cal



Ch1 Start 300 kHz Pwr 0 dBm Stop 8 GHz

6/1/2009, 9:08 PM