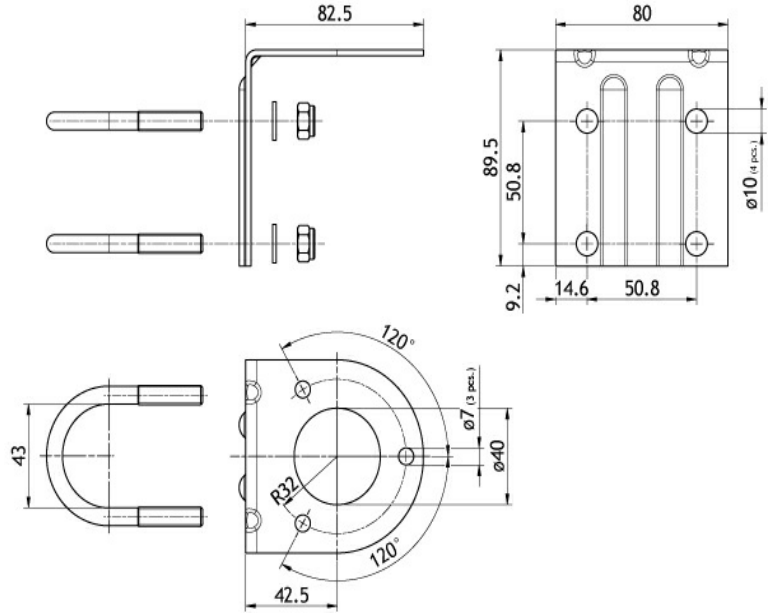


## Mast Mounting Bracket for all "MA"-mount Based Antennas

### DESCRIPTION

- This bracket makes it possible to install all antennas equipped with type "MA"-mount at the top of a mast tube.
- Among these antennas are AAC 1, BCL 1-KA, AIS 2/GPS 4 and MA 70/GPS 4/...
- The mast tube outer diameter must lie within the range 30 to 43 mm.
- Please note that the SM-MAS should be installed at the very top of the mast tube, otherwise the antenna or part of it will be positioned parallel with the mast tube and consequently, the SWR and the radiation pattern of the antenna will be distorted.
- The SM-MAS bracket, U-bolt and fittings are made of Stainless acid-proof steel.



### ORDERING

Type	Product No.
SM-MAS	110000196

### ADDITIONAL DATA

### NOTE

In case the mount is used with the BCL 1-KA or AAC 1 antenna the package contains extra screws and washers.

### SPECIFICATIONS

Mechanical	
Mast Tube Outer Dia.	30 - 43 mm / 1.18 - 1.69 in.
Materials	Bracket: Stainless steel (AiSi 316L) Fittings: Stainless steel (AiSi 316L)
Length	82.5 mm / 3.25 in.
Width	80 mm / 3.15 in.
Height	89.5 mm / 3.52 in.
Weight	0.35 kg / 0.77 lb
Function	Mast mounting bracket for MA-mount based antennas

